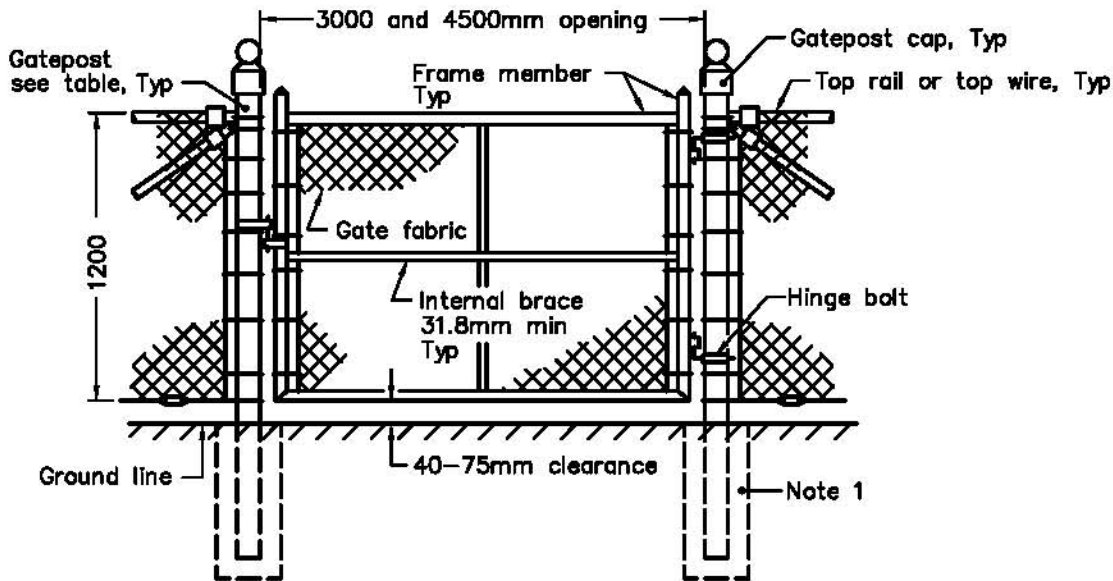


DOUBLE SWING GATE OPENING



SINGLE SWING GATE OPENING

NOTES:

1. ALL 9 GAUGE FABRIC WIRE SHALL HAVE 59C.C. OF ZINC/.09m UNDER BLACK VINYL COATING.
2. ALL CONCRETE SHALL BE 20 MPa.
3. ALL FRAME WORK AND OTHER FENCE COMPONENTS SHALL BE FINISHED WITH BLACK GLOSS ENAMEL BY POWDER COAT APPLICATION.
4. ALL FASTENERS ARE TO BE BLACK VINYL COATED
5. CORNER POSTS SHALL BE INSTALLED AT HORIZONTAL DEFLECTIONS IN THE FENCE LINE OF 10 DEGREES OR MORE.
6. TERMINAL POSTS SHALL BE INSTALLED AT EQUAL INTERVALS NOT EXCEEDING IN VERTICAL ALIGNMENT OF FENCE EXCEED 30 DEGREES
7. FOR FOOTING DETAILS REFER TO OPSD-972.130
8. GATES AS VIEWED FROM THE ROADWAY
9. ALL DIMENSIONS ARE IN MILLIMETRES UNLESS OTHERWISE SHOWN.

GATE AND GATEPOST DETAILS TABLE

Gate Type and Max Opening m	Frame Member Min OD	Post Dia Min OD	Post Length Standard m
Single swing 3.0 Double swing 6.0	42.9	88.9	2.6
Single swing 4.5 Double swing 9.0	48.3	114.3	2.9

TITLE:

1.2M HIGH BLACK COATED VINYL FENCE GATE



DWG DATE:
FEB 20, 2013

REVISION DATE:

DWG NO:
901