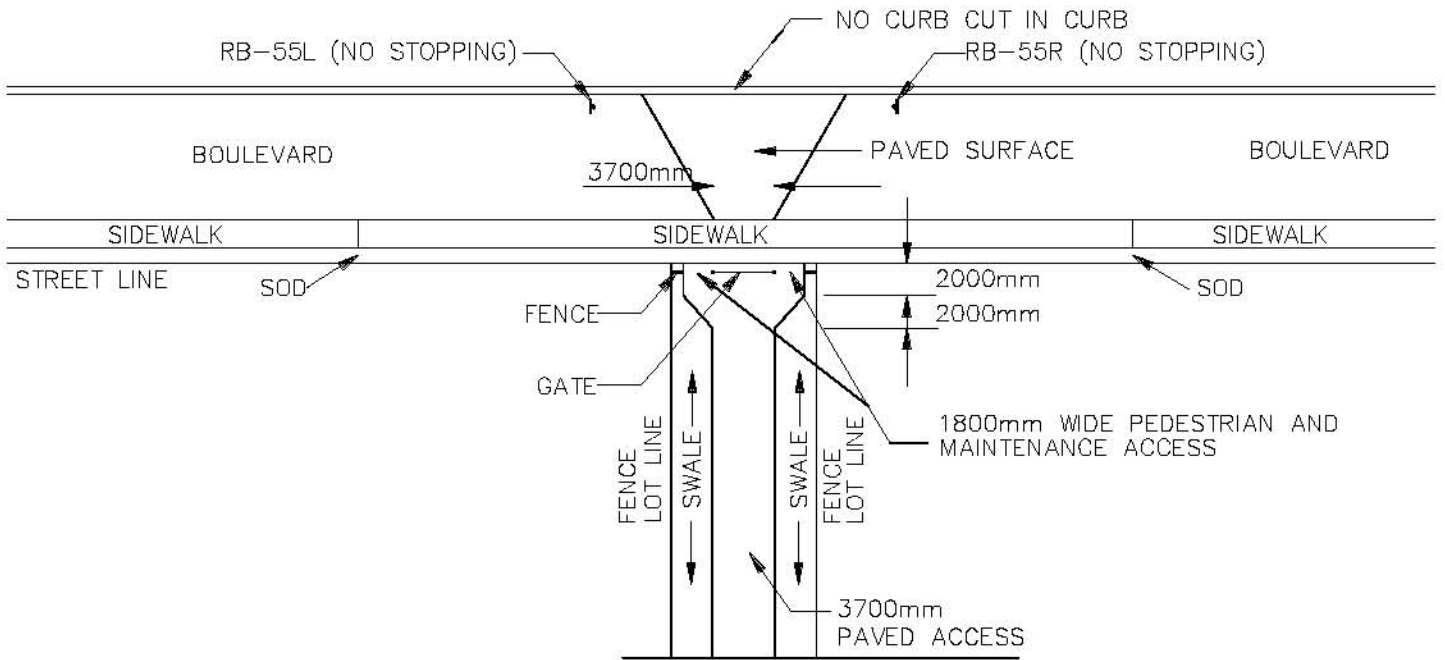
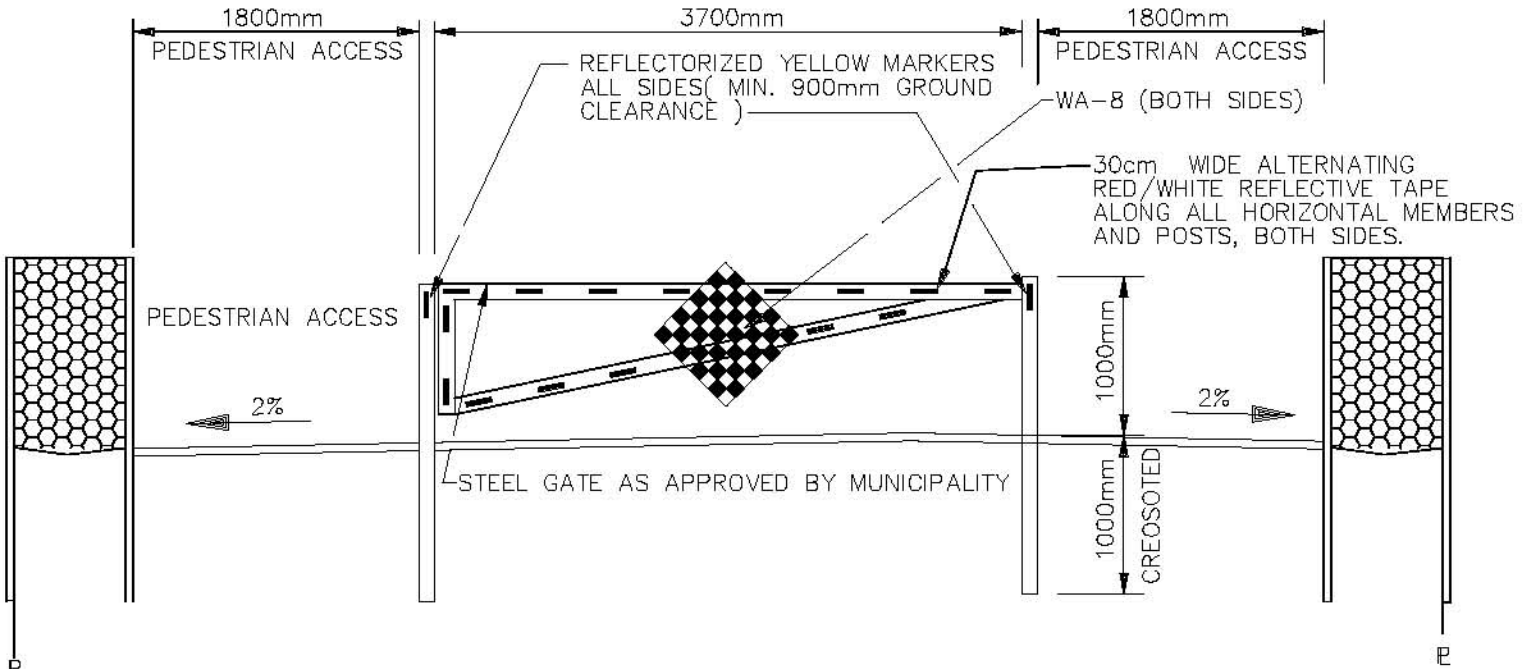


METRIC
ALL DIMENSIONS IN MILLIMETRES



TYPICAL PLAN VIEW OF
END OF EMERGENCY ACCESS ROUTE
(APPLICABLE TO BOTH ENDS)



TYPICAL CROSS-SECTION AT GATE LINE

EMERGENCY PEDESTRIAN ACCESS ROUTE



DWG DATE:
MARCH 14, 2013

REVISION DATE:

DWG NO:
505