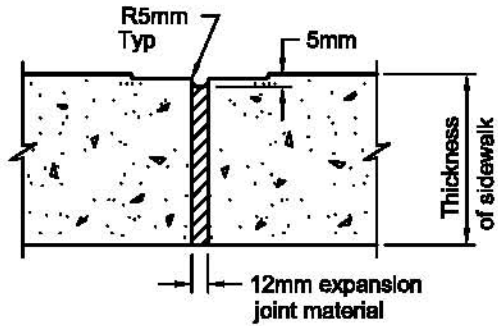
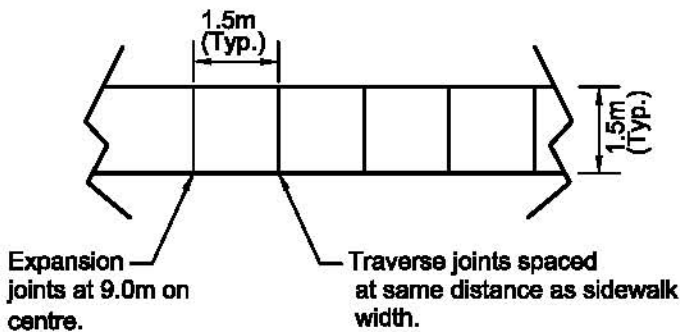


TRVERSE JOINT



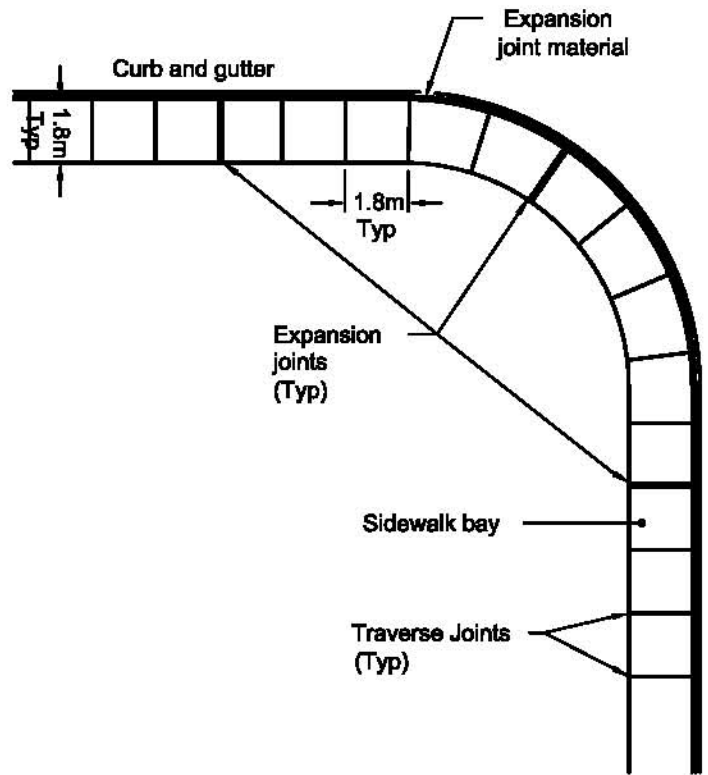
EXPANSION JOINT



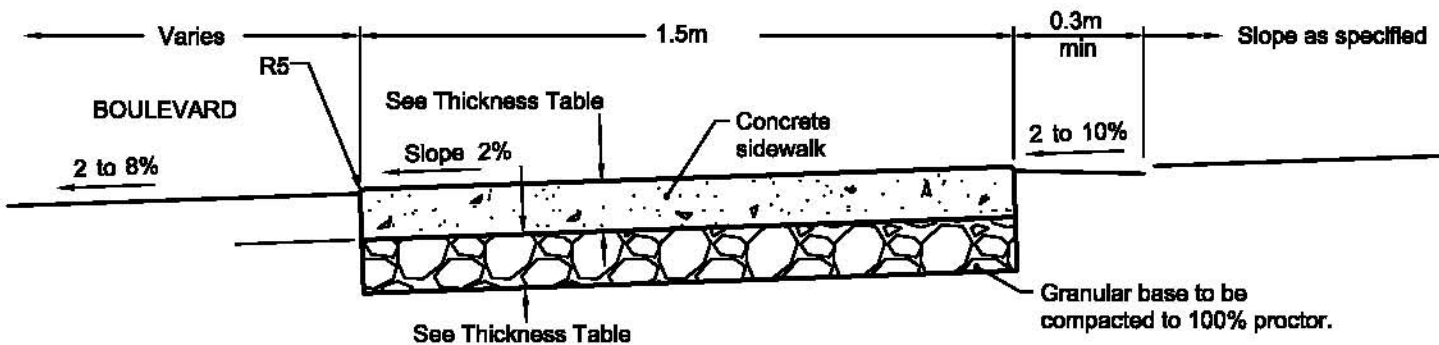
PLAN VIEW OF SIDEWALK NOT ADJACENT TO CURB

Application	Concrete	Granular
Residential	125mm	125mm
Commercial	150mm	150mm
Industrial	200mm	200mm

Sidewalk and Granular Base Thickness at Driveway Entrances



TYPICAL JOINT LAYOUT SIDEWALK ADJACENT TO CURB



TYPICAL SECTION

TITLE:

SIDEWALK DETAIL PLAN WITH CROSS SECTION



DWG DATE:

FEB 8, 2013

REVISION DATE:

DWG NO:

312